



Ventilation Systems Oy



RUR

Y - 3090862 - 6 Finland Porvoo
Post : 06150 +358 442 442 240
info@nrf-ventilation-system.com
www.nrf-ventilation-system.com

RUR Product Introduction

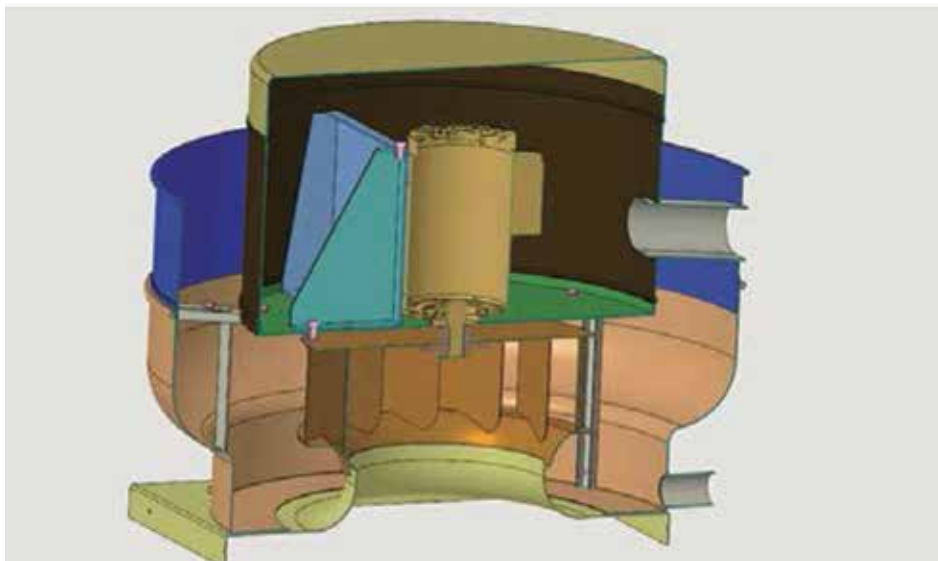
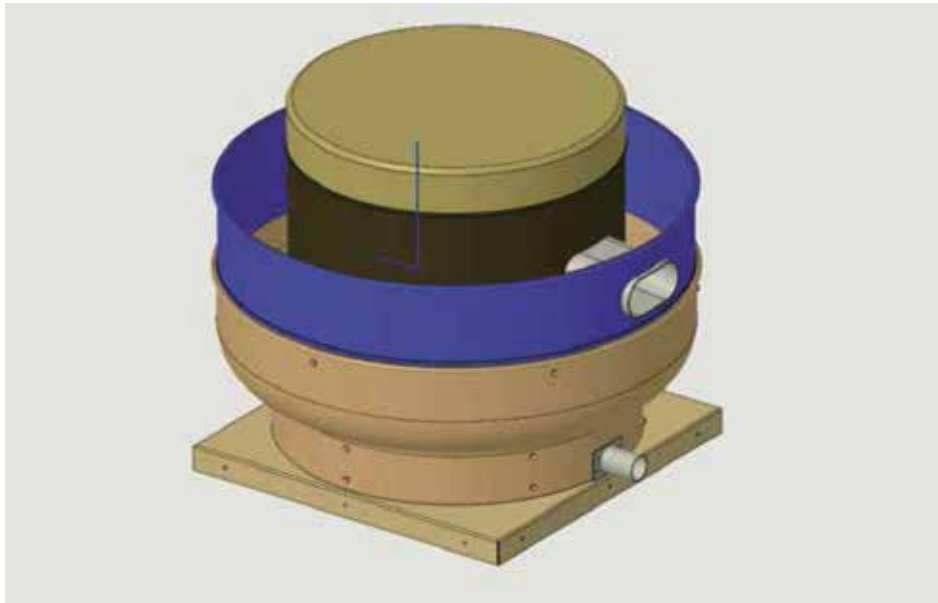
RUR Series:

The Product Is Made In Aluminum Alloy, Which Is Cutting, By Laser To Ensure High-precision Mold Line. The Base Is Aluminum Alloy For One-time Stretch. Driven Cavity Cover Adopt Galvanized Material, Which Can Open With Hands, And Convenient To Daily Cleaning Maintenance. Different Ways Of Motor With Different Transmission Need To Select Different Motor Bracket. The Impeller Adopts Laser Cutting Technology And Die Stretch Forming. A Different Work Environment Needs To Adopt Different Impeller Material. Carbon Steel, Stainless Steel And Aluminum Alloy Impeller Are Optional. The Surface Of The Impeller Adopts Industrial Spraying. Impeller Balance Test Grades Are In Strict Accordance With The G4.0 ISO1940, And Meet Its Requirements. In This Series, Roof fan Use Aluminum Alloy Wheel.



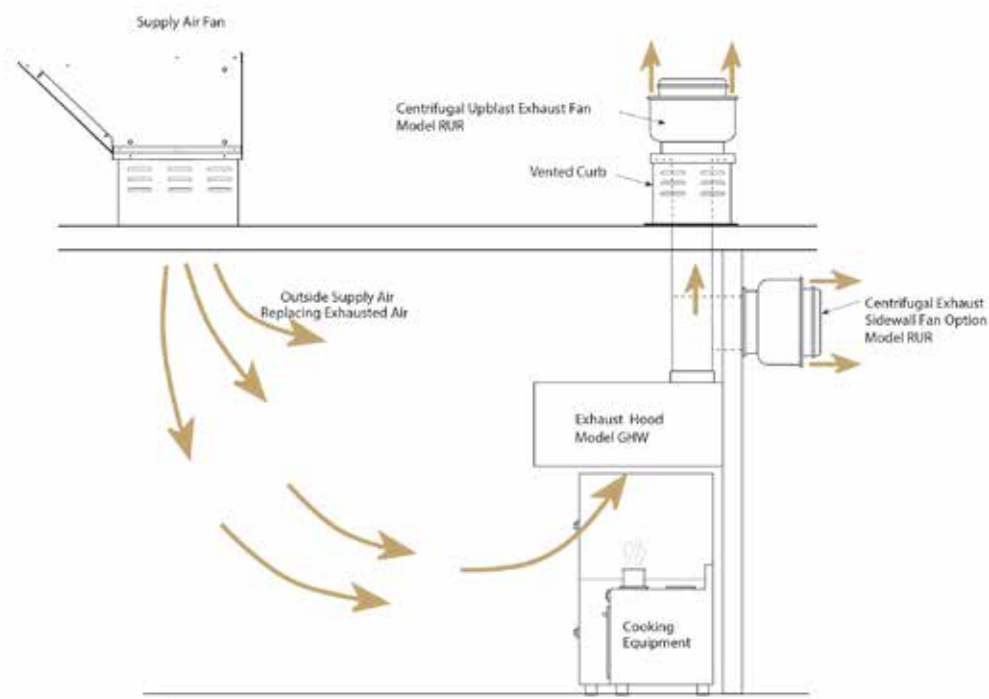
RUR FEATURES INTRODUCTION

- This Fan Can Be Used As Smoke Fan, Working In High Temperature Environment
- Full Mold, Aluminum Alloy Structure
- Most Advanced Motor Cooling Of fan In Its Class
- Direct Drive And Belt Drive Are Available
- Anti-explored Type Is Available
- IEC 60335 Report, ISO9001:2018 Controllable Standard
- The Highest Working Environment Temperature Is 320F improve The Conguration, The
-
- Maximum Working Environment Temperature Can Reach To 572F.
- RUR Features Introduction



DIMENSIONS

This Drawing Shows A Typical Commercial Kitchen Ventilation System That Consists Of A Roof Fan And A Supply Fan. Exhaust Fan Variations Include Sidewall Exhaust Fan (Also Shown) When Penetrating The Roof Is Not Practical. A Roof fan Is Recommended When Higher Static Pressure Capability Is Required To Pull Exhaust Through Long Duct Runs (Typically 3 Stories Or More)



FAN PRECAUTIONS

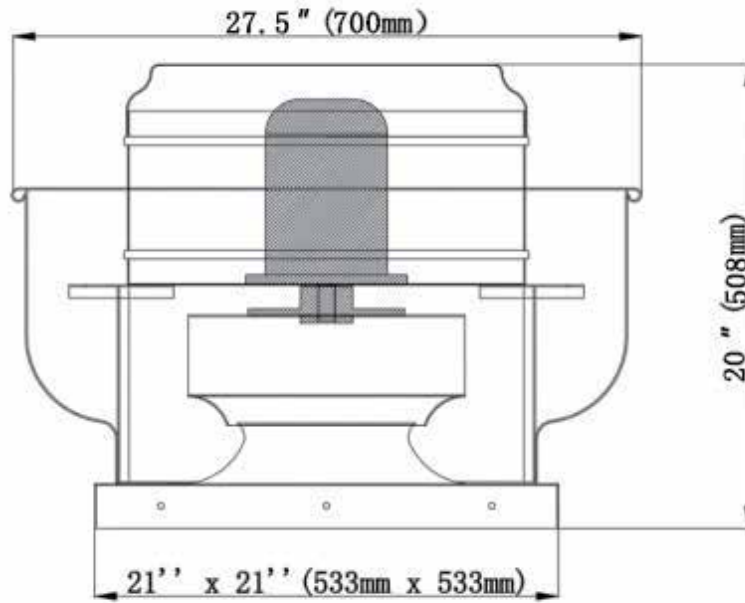
It Is Strictly Prohibited To Install It In A Place With Gas And Dust That May Damage The Insulation Strength Of The Power Supply In The Machine

It Is Strictly Forbidden To Cover The Air Inlet Net With Other Things Or Block The Air Outlet With Things

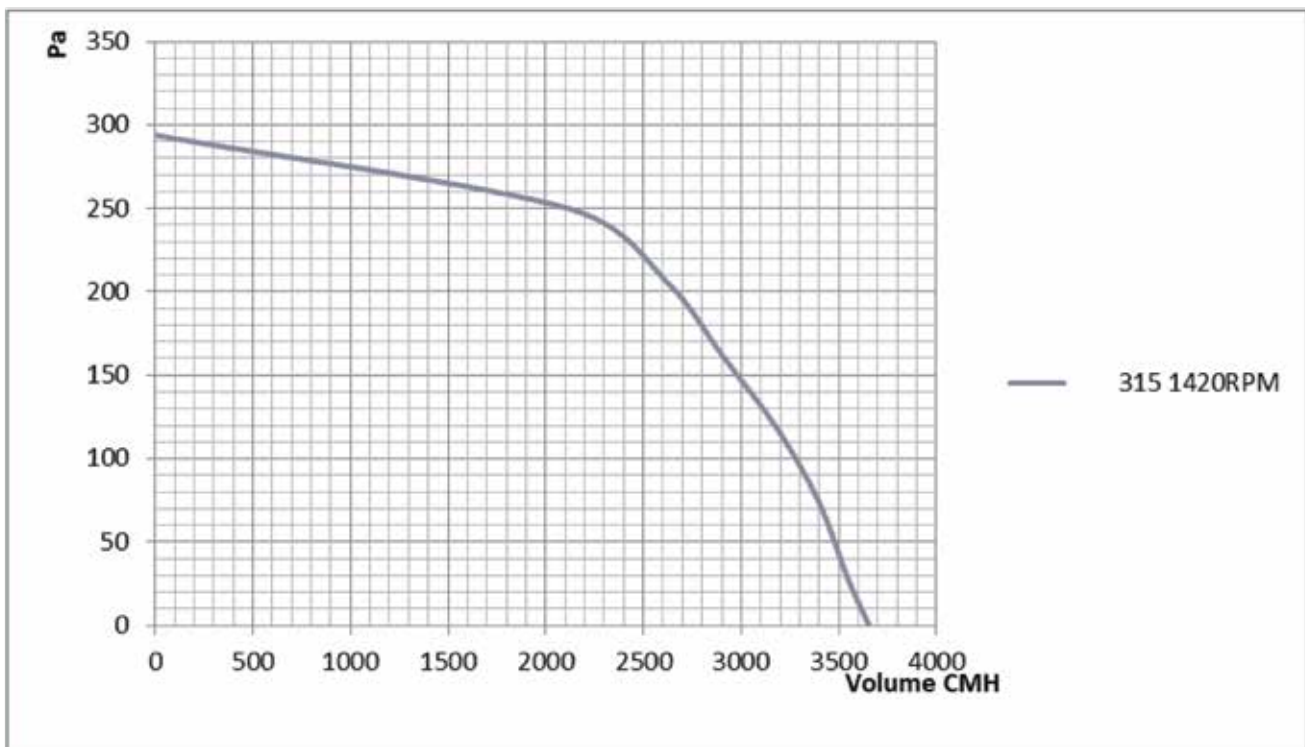
Always Clean The Inside Of The Machine, The Dust On The Motor, Wind Wheel And Casing To Ensure Smooth Air In And Out

If The Power Cord Is Damaged, In Order To Avoid Danger, It Must Be Replaced By Professionals From The Manufacturer's Maintenance Department Or Related Departments

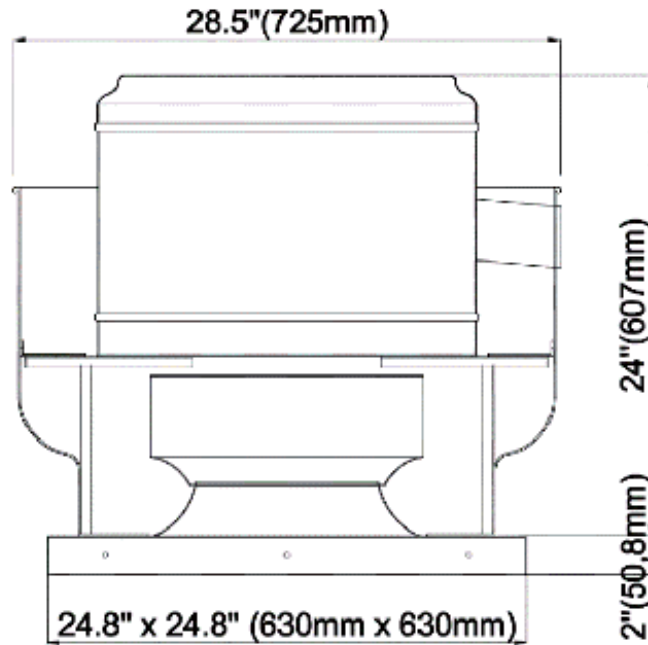
RUR315 DIMENSION AND PERFORMANCE



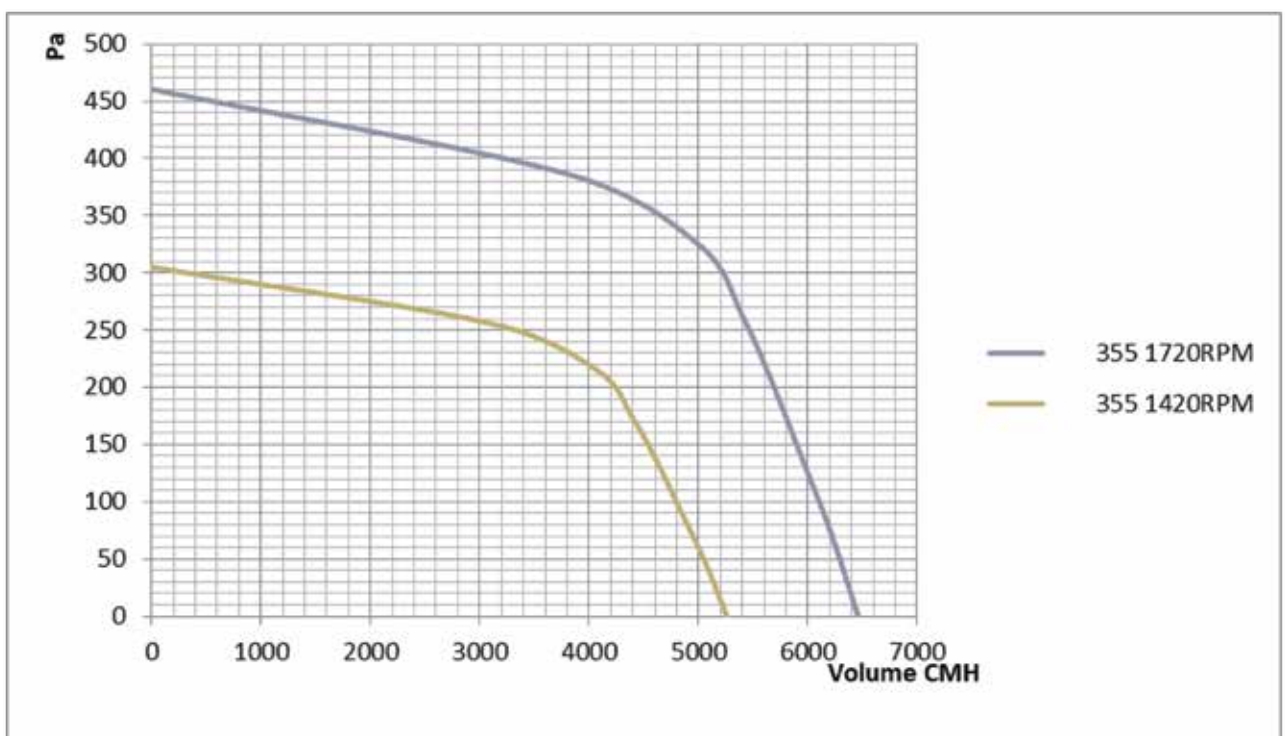
Model	Power	AC Motor 1Ø	Fan Speed	Impeller Dia
Impeller Dia	250W	220V-240V/50Hz	1420RPM	12.5inch



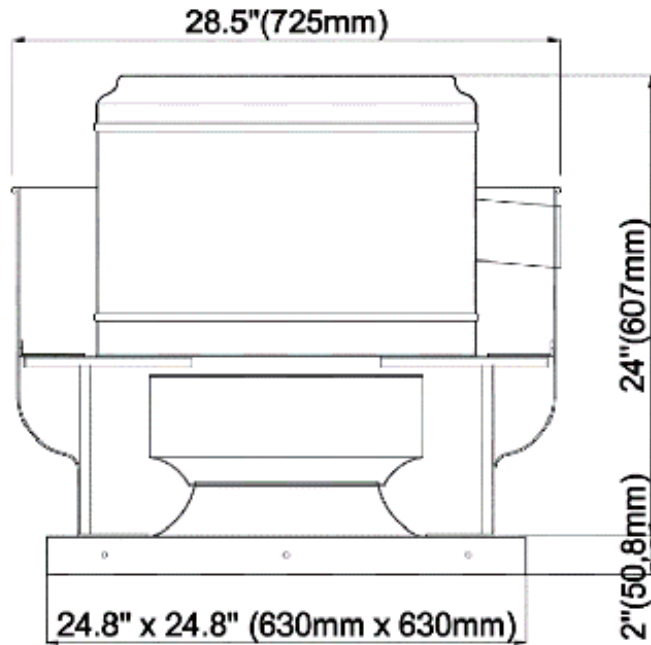
RUR355 DIMENSION AND PERFORMANCE



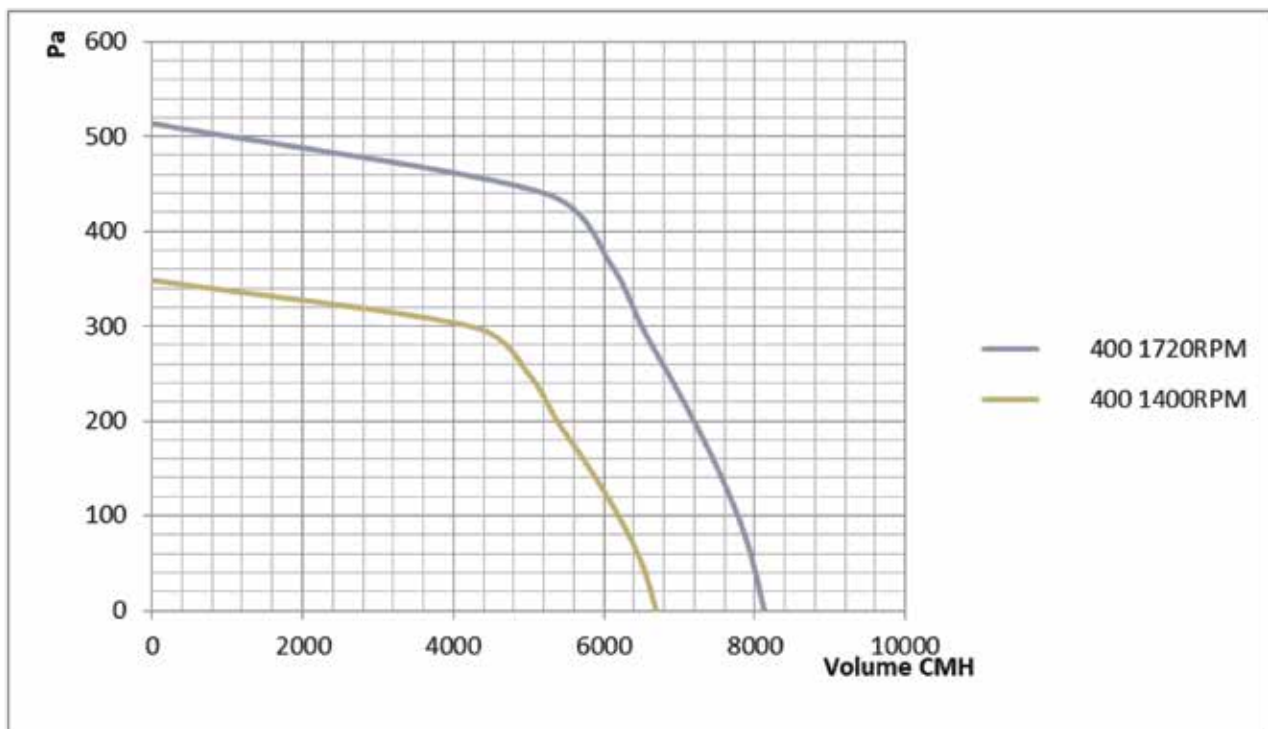
Model	Power	AC Motor 1Ø	AC Motor 3Ø	Fan Speed	Impeller Dia
RUR355	550W	380V or 415V/50Hz	380V or 415V/50Hz	1400RPM (Direct Drive)	14inch
	750w	380V or 415V/50Hz	380V or 415V/50Hz	1720RPM (Belt Drive)	



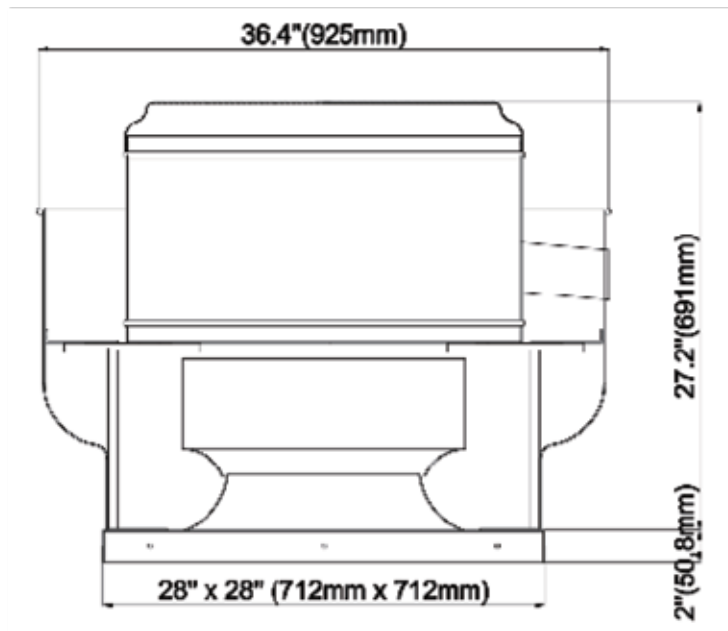
RUR400 DIMENSION AND PERFORMANCE



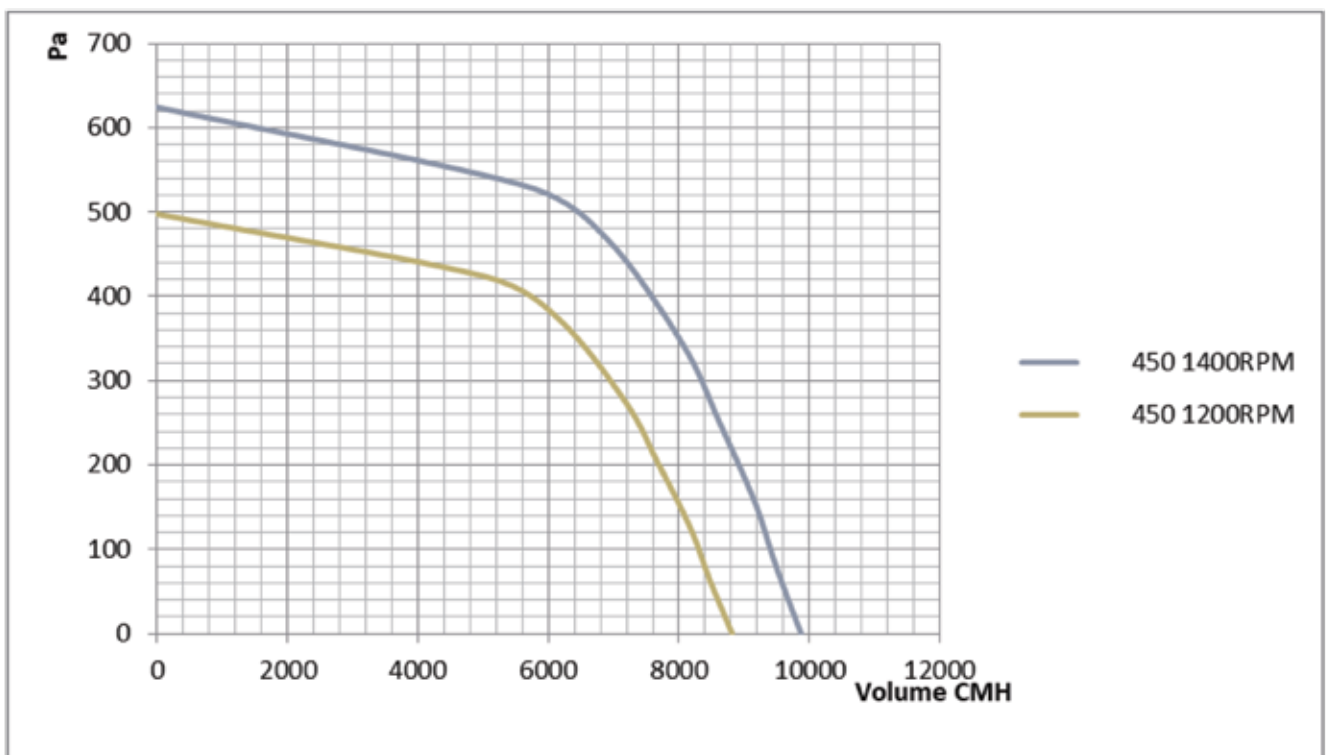
Model	Power	AC Motor 1Ø	AC Motor 3Ø	Fan Speed	Impeller Dia
RUR 400	0.75KW	220V/-240V/50Hz	380V or 415V/50Hz	1400RPM (Direct Drive)	14 inch
	1.1Kw	220V/-240V/50Hz	380V or 415V/50Hz	1720RPM (Belt Drive)	



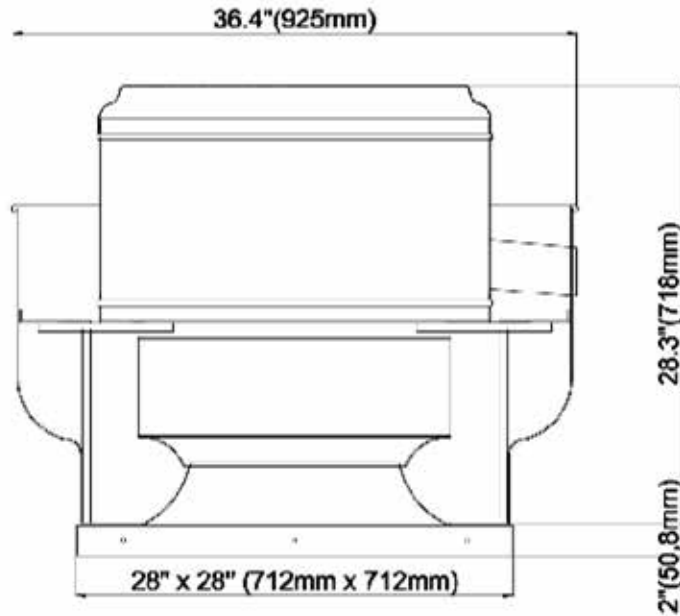
RUR450 DIMENSION AND PERFORMANCE



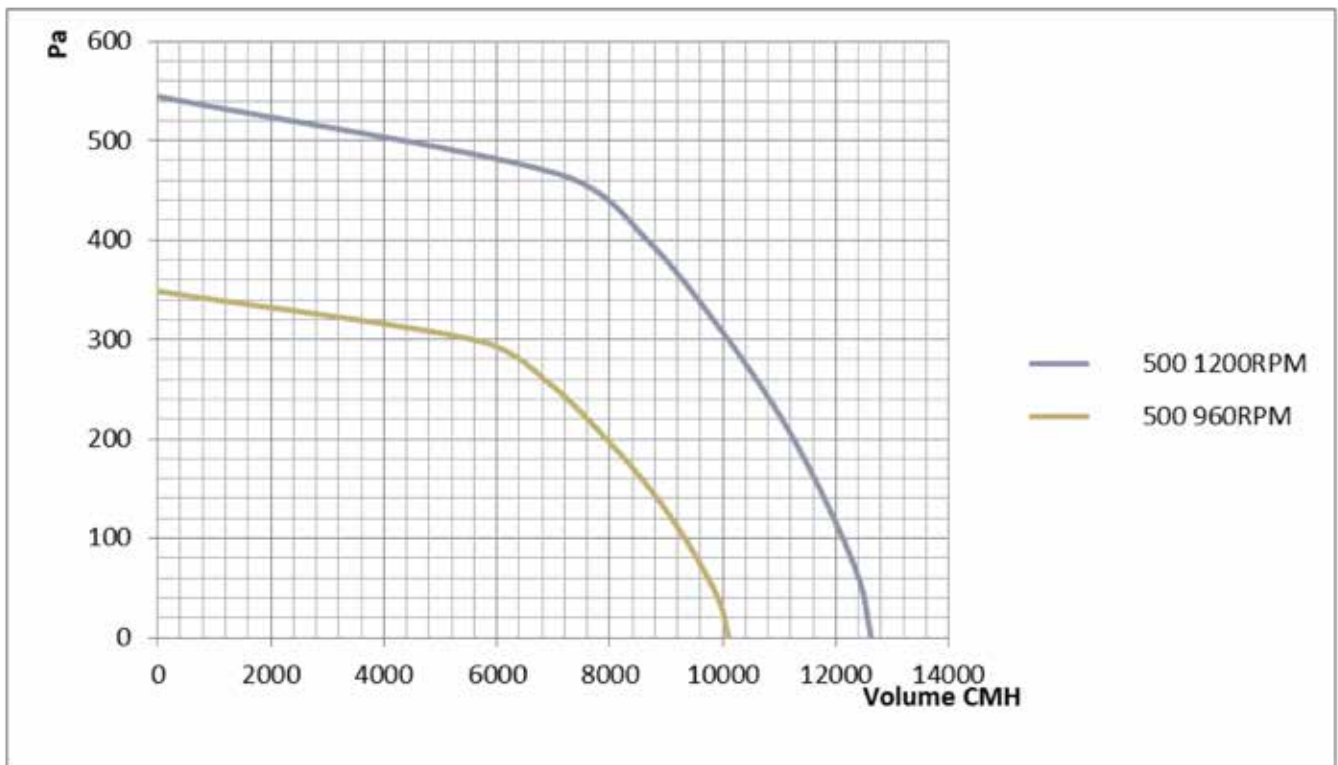
Model	Power	AC Motor 1Ø	AC Motor 3Ø	Fan Speed	Impeller Dia
RUR 450	0.75KW	220V/-240V/50Hz	380V or 415V/50Hz	1200RPM (Belt Drive)	18 inch
	1.1Kw	220V/-240V/50Hz	380V or 415V/50Hz	1400RPM (Direct Drive)	



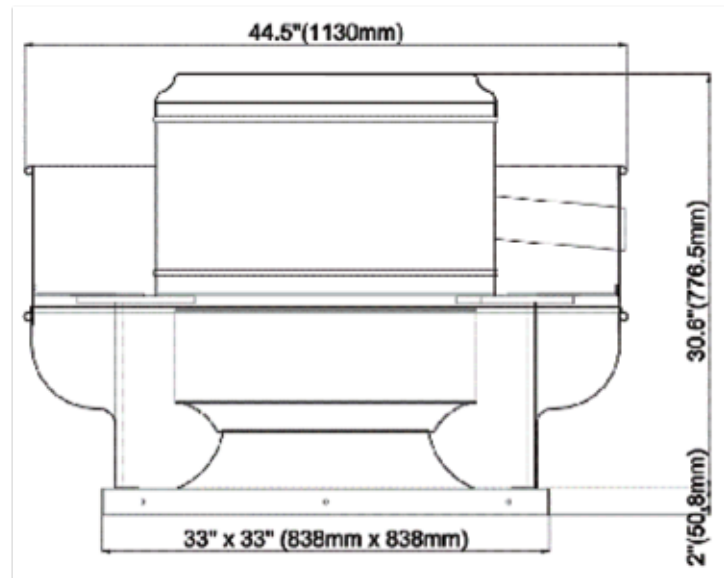
RUR500 DIMENSION AND PERFORMANCE



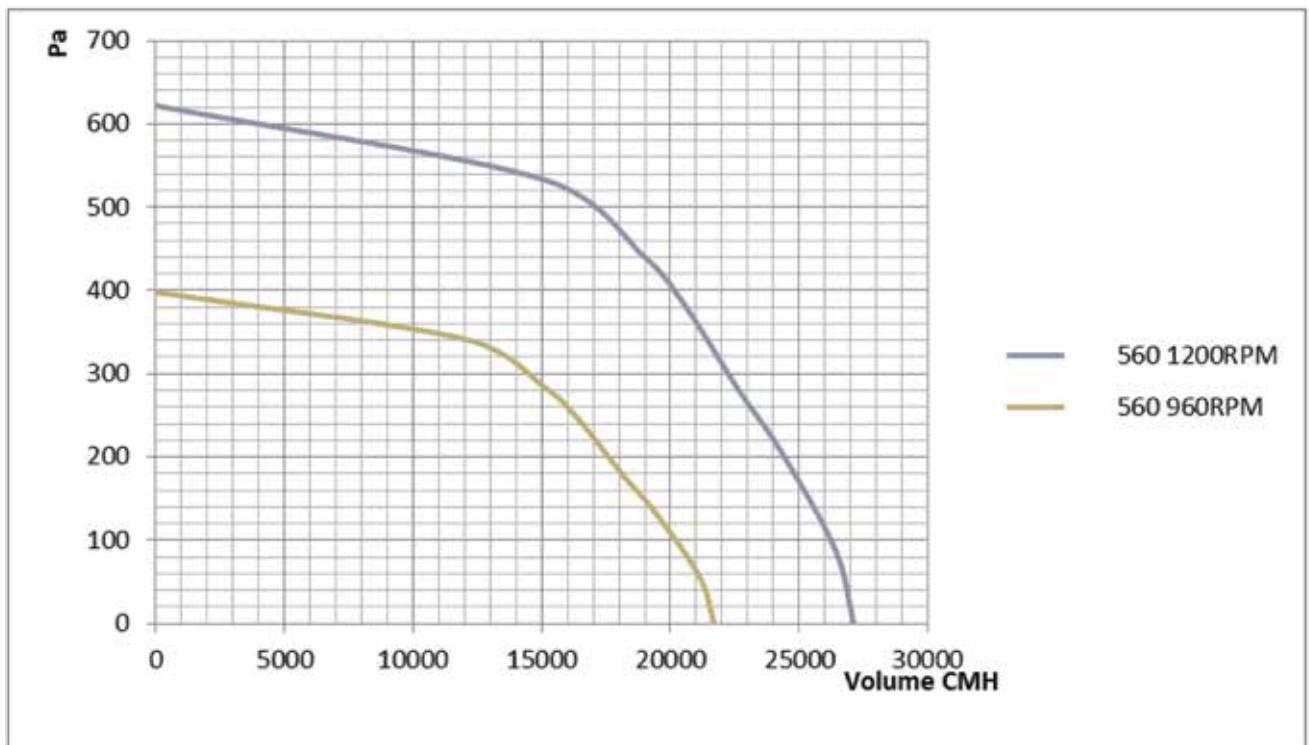
Model	Power	AC Motor 1Ø	AC Motor 3Ø	Fan Speed	Impeller Dia
RUR 500	1.1KW	220V/-240V/50Hz	380V or 415V/50Hz	960RPM (Direct Drive)	20 inch
	1.5Kw	220V/-240V/50Hz	380V or 415V/50Hz	1200RPM (Belt Drive)	



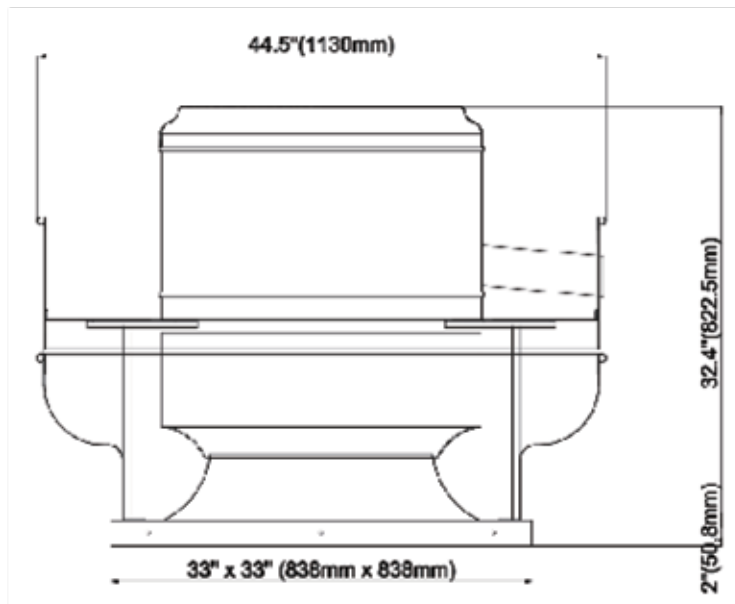
RUR560 DIMENSION AND PERFORMANCE



Model	Power	AC Motor 1Ø	AC Motor 3Ø	Fan Speed	Impeller Dia
RUR560	1.5KW	220V/-240V/50Hz	380V or 415V/50Hz	960RPM (Direct Drive)	22 inch
	2.2Kw	None	380V or 415V/50Hz	1200RPM (Belt Drive)	



RUR 630 DIMENSION AND PERFORMANCE



Model	Power	AC Motor 1Ø	AC Motor 3Ø	Fan Speed	Impeller Dia
RUR 630	2.2KW	None	380V or 415V/50Hz	960RPM (Direct Drive)	25 inch
	1.1Kw	220V/-240V/50Hz	380V or 415V/50Hz	720RPM (Direct Drive)	
	1.5KW	220V/-240V/50Hz	380V or 415V/50Hz	850RPM (Belt Drive)	
	3Kw	None	380V or 415V/50Hz	1200RPM (Belt Drive)	

